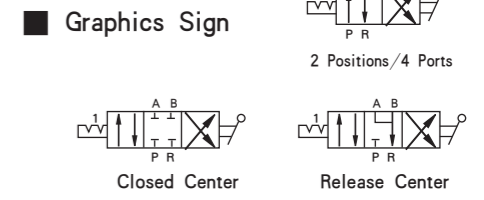
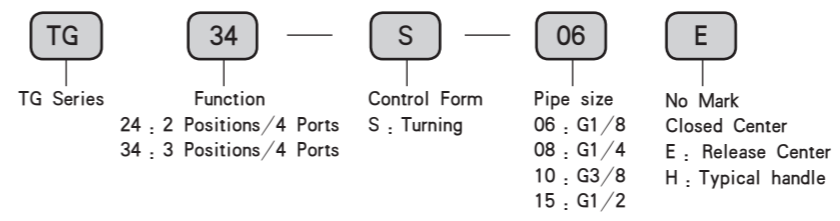


3 Positions/4 Ports Manually-turn Valve



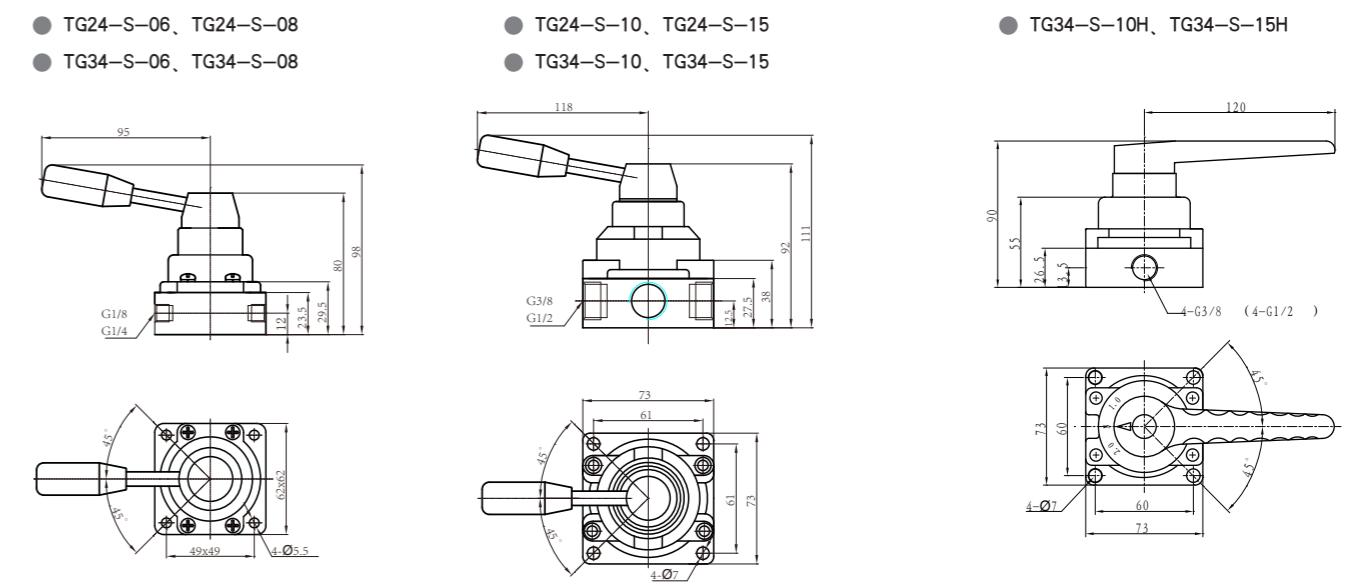
Ordering Code



Technical Parameter

Item	Function	Pipe size	Nominal Diameter (mm)	Applicable Medium	Applicable Pressure Range	Control Method	Lubrication	Medium Temperature
TG24-S-06	2 Positions/4 Ports	G1/8	6	Air	0 ~ 1.0MPa	Manually Control	Needless	-5 ~ 60°C
TG24-S-08		G1/4	8					
TG24-S-10		G3/8	10					
TG24-S-15		G1/2	15					
TG34-S-06 TG34-S-06E	3 Positions/4 Ports	G1/8	6					
TG34-S-08 TG34-S-08E		G1/4	8					
TG34-S-10 TG34-S-10E		G3/8	10					
TG34-S-15 TG34-S-15E		G1/2	15					
TG34-S-10H		G3/8	10					
TG34-S-15H		G1/2	15					

Figure Dimension

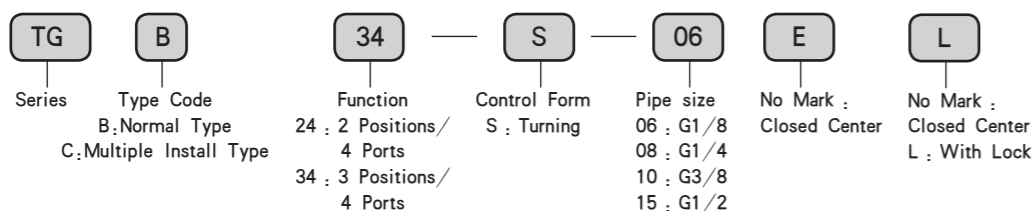


3 Positions/4 Ports Manually-turn Valve(Ceramic Seal)

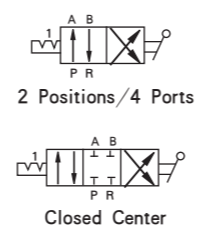


● TGB34-S-08 ● TGB34-S-15 ● TGC34-S-08 ● TGC34-S-15 ● TGB34-S-15L

● Ordering Code



■ Graphics Sign



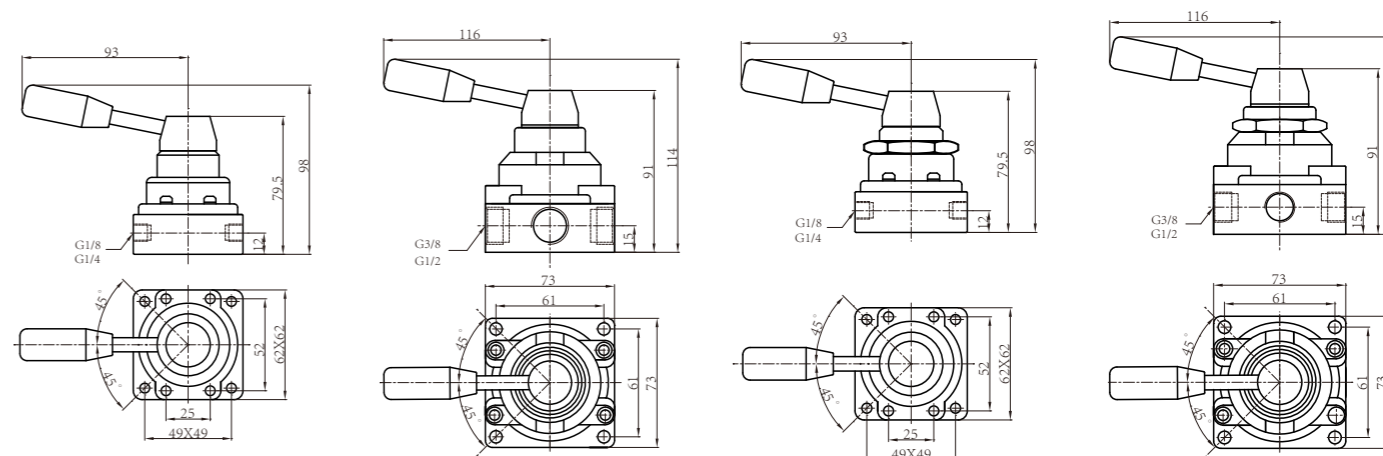
■ Technical Parameter

Item	Function	Pipe Size	Nominal Diameter (mm)	Applicable Medium	Applicable Pressure Range	Control Method	Lubrication	Medium Temperature
TGB24-S-06	2 Positions/4 Ports	G1/8	6	Air	0 ~ 1.0MPa	Manually Control	Needless	-5 ~ 60°C
TGB24-S-08		G1/4	8					
TGB24-S-10		G3/8	10					
TGB24-S-15		G1/2	15					
TGC24-S-06		G1/8	6					
TGC24-S-08		G1/4	8					
TGC24-S-10		G3/8	10					
TGC24-S-15		G1/2	15					
TGB34-S-06 TGB34-S-06L	3 Positions/4 Ports	G1/8	6	Air	0 ~ 1.0MPa	Manually Control	Needless	-5 ~ 60°C
TGB34-S-08 TGB34-S-08L		G1/4	8					
TGB34-S-10 TGB34-S-10L		G3/8	10					
TGB34-S-15 TGB34-S-15L		G1/2	15					
TGC34-S-06 TGC34-S-06L		G1/8	6					
TGC34-S-08 TGC34-S-08L		G1/4	8					
TGC34-S-10 TGC34-S-10L		G3/8	10					
TGC34-S-15 TGC34-S-15L		G1/2	15					

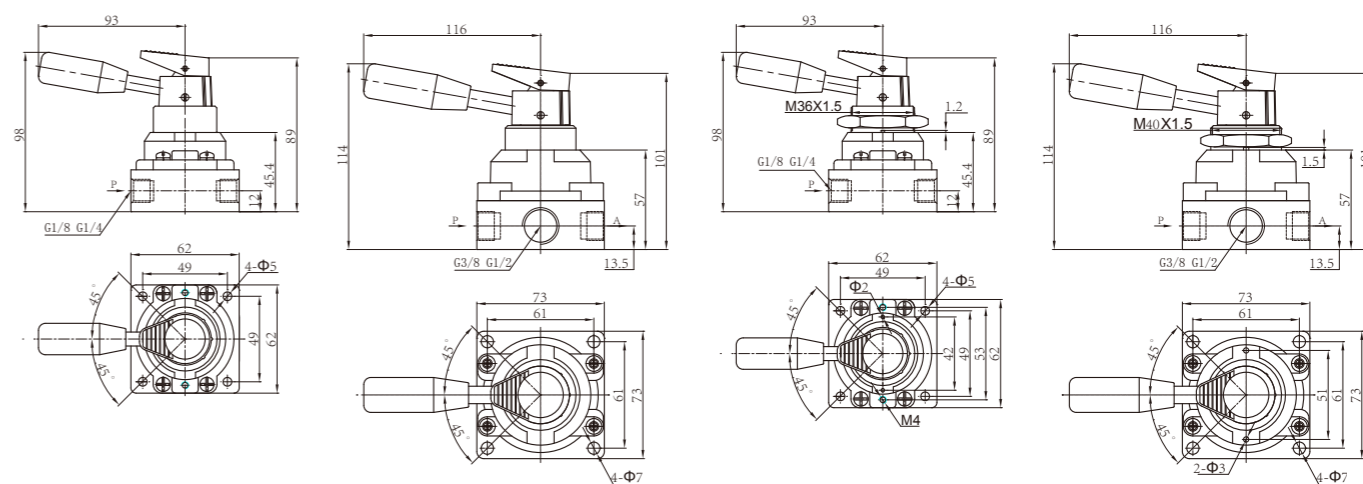
3 Positions/4 Ports Manually-turn Valve(Ceramic Seal)

■ Figure Dimension

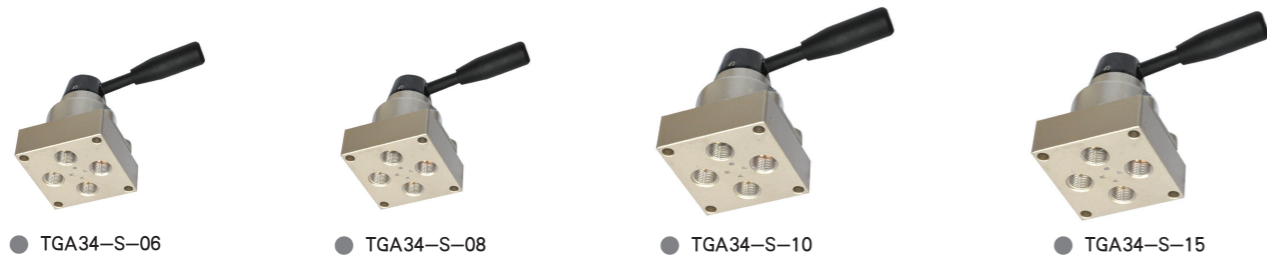
- TGB24-S-06
- TGB24-S-08
- TGB34-S-06
- TGB34-S-08
- TGB24-S-10
- TGB24-S-15
- TGB34-S-10
- TGB34-S-15
- TGC24-S-06
- TGC24-S-08
- TGC34-S-06
- TGC34-S-08
- TGC24-S-10
- TGC24-S-15
- TGC34-S-10
- TGC34-S-15



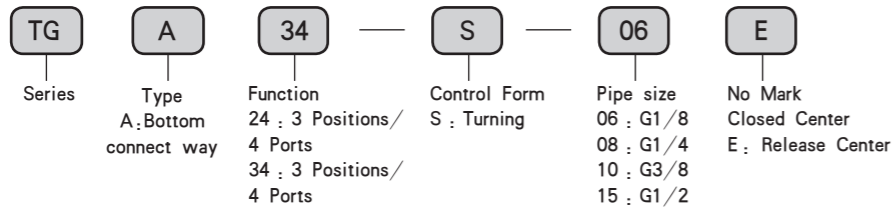
- TGB34-S-06L
- TGB34-S-08L
- TGB34-S-10L
- TGB34-S-15L
- TGC34-S-06L
- TGC34-S-08L
- TGC34-S-10L
- TGC34-S-15L



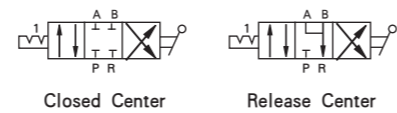
### 3 Positions/4 Ports Valves(Ports On The Bottom)



#### Ordering Code



#### Graphics Sign

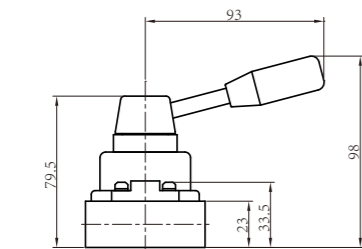


#### Technical Parameter

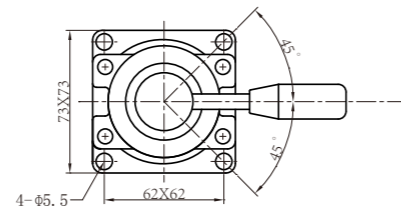
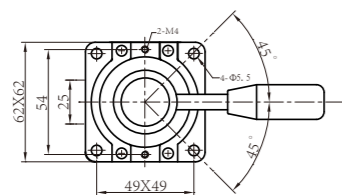
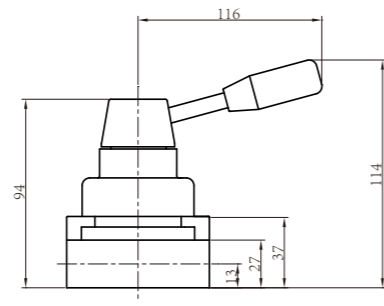
Item	Function	Pipe Size	Nominal Diameter (mm)	Applicable Medium	Applicable Pressure Range	Control Method	Lubrication	Medium Temperature
TGA34-S-06	3 Positions/4 Ports	G1/8	6	Air	0 ~ 1.0MPa	Manually Control	Needless	-5 ~ 60°C
TGA34-S-08		G1/4	8					
TGA34-S-10		G3/8	10					
TGA34-S-15		G1/2	15					
TGA34-S-06E		G1/8	6					
TGA34-S-08E		G1/4	8					
TGA34-S-10E		G3/8	10					
TGA34-S-15E		G1/2	15					

#### Figure Dimension

● TGA34-S-06, TGA34-S-08



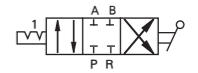
● TGA34-S-10, TGA34-S-15



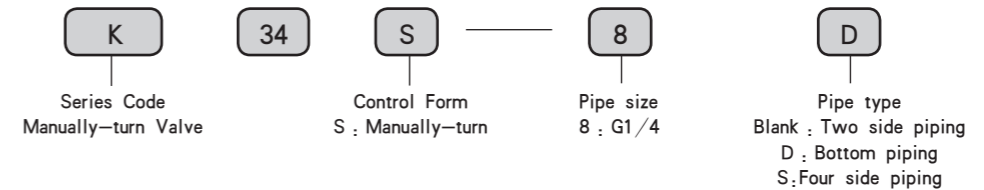
### K Series Manually-turn Valve



#### Graphics Sign



#### Ordering Code

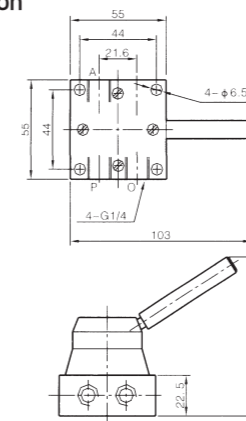


#### Technical Parameter

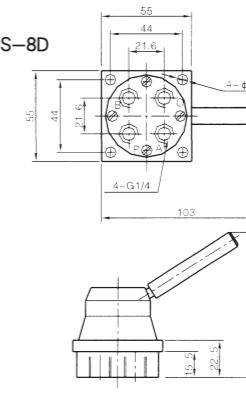
Item\Specification	K23S-8	K24S-8	K34S-8	K34S-8S	K34S-8D
Pipe thread	G1/4				
Operating pressure MPa	0 ~ 1.0 MPa				
Medium Temperature	-10 ~ 60 °C				
Effective Cross Area	10				
Pipe type	Side piping			Bottom piping	
Working life(M)	≥ 150 M				

#### Figure Dimension

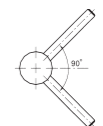
● K34S-8



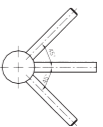
● K34S-8D



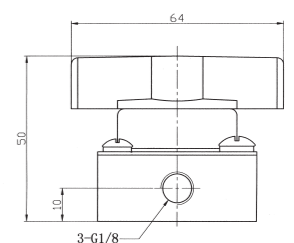
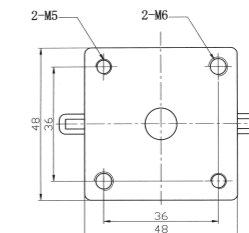
2 Positions hand position



3 Positions hand position



### 2 Position/3 Ports Trun Valve



#### Technical Parameter

Item	Structure Type	Pipe Thread	Nominal Diameter (mm)	Applicable Fluid	Pressure Range	Operating Method	Lubrication	Applicable Temperature
TG23-S-06	2 Position/3 Ports	G1/8	ø2.8	Air	0 ~ 1.0MPa	Direct Action Type	Not Required	-5 ~ 60°C